

## **Axiom™ Patient Headwall Installation Instructions**

**Please read through these instructions completely prior to attempting any installation**

### **Installation Instructions**

Tel: 925.427.7800  
Fax: 925.427.0800

[support@hospitalystems.com](mailto:support@hospitalystems.com)

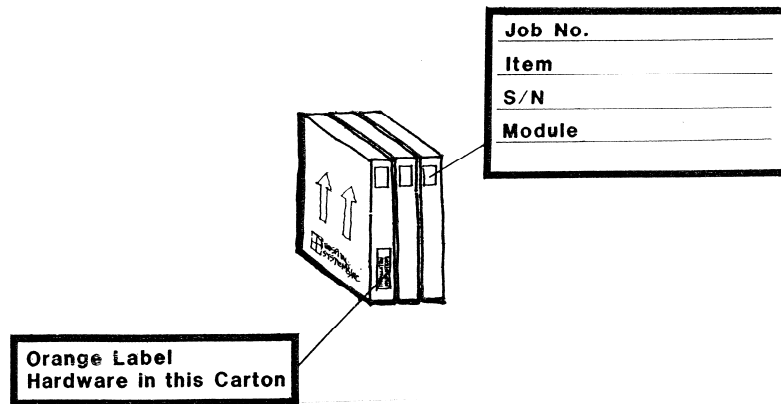
[www.hospitalystems.com](http://www.hospitalystems.com)

Hospital Systems Inc.  
750 Garcia Avenue  
Pittsburg CA 94565  
USA



These Hospital Systems, Inc. modular headwalls have been custom built to the specifications of this particular project. Not only have they been designed to aid the medical staff in positioning all of their mechanical, electrical and communication devices in uniform location but have been especially designed to aid the contractor in ease of installation.

Please review these installation instructions as well as the approved Hospital Systems shop drawings. An additional set of instructions and relevant drawings are enclosed with the shipment of headwalls. You will find these in the carton marked with the orange label "Installation Instructions in this Carton"

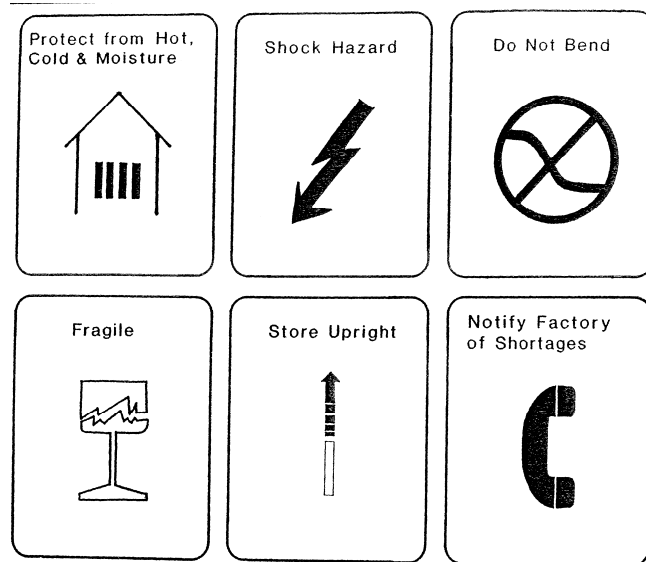


At the early stages of the project and immediately after the approved shop drawings are received by our Engineering Department, you will received a ceiling mounting plate for each headwall. [Note, some multi-modular headwalls may require more than one ceiling mounting plate.] Included with this shipment will be copies of the shop drawings pertaining to the layout of the headwall, advisory backing, and ceiling mounting plates. Each of the holes in the ceiling mounting plate is pre-punched and has a specific purpose. Great care should be taken that the correct hole is used, as they will eventually made up with the corresponding terminal compartment within the headwall.

A special heavy gauge ceiling mount plate is provided for free standing columns and headwalls. These plates are located and held in place at the ceiling line with suitable bracing to hold the top of the headwall unit. The bracing is provided by the installing contractor and must meet all local seismic codes.

The ceiling mounting plate will govern the future location of the headwall module and as such must be located at the ceiling line in the exact position that the headwall will occupy. Attach the shorter flange against the sheetrock or plaster of the building wall with this flange turned upward. This ceiling mounting plate will eventually become the top of the headwall

You will note that the blocking diagrams are advisory only, and that the blocking is not provided with the headwall. These are the locations that we expect the headwall to be fixed to the building wall. Actual blocking type should be in accordance with all local codes. Fasteners are not supplied with the headwall, as each fastener is dependant upon the type of blocking used.



Each headwall is individually packaged with particular care in the prevention of scratches or bend medical gas piping. Each carton is labeled with a serial number that will indicate the room [if available] to which the headwall will be located. Serial numbers will look like 8654-A123-56. This can be decoded as follows: 8654 is the Hospital Systems OrderID number; A123 is the room number, and 56 as the sequence number. Multi-modular headwalls will also be labeled as to the module location such as "Module A"

Mounting clips, screws and nuts, and other miscellaneous hardware is shipped within the carton marked with the bright orange label stating "Hardware in this Carton"

Upon receipt of your shipment of headwalls, immediately inspect all cartons for any visible damage in shipment. If any is found, follow the instructions enclosed with the packing slip. Headwalls should be stored on edge, in a clean, dry location and remain in their carton until unpacked for installation.

Bring the headwall [still in its carton] to the room location where it will be installed. Lay the unit flat on its back and remove the top section of the carton. Be careful not to let the staples scratch the finish or your hands. Note from the drawing where the mounting fasteners are to be placed. Most headwalls are fastened to the building at three points:

1. There are two mounting holes within the upper terminal compartment.
2. Locate two wall mounting clips [provided] on the back flange of an intermediate horizontal extrusion wheel shown
3. Locate two wall mounting clips [provided] on the back flange of the bottom horizontal extrusion wheel shown

Remove those access panels that cover the areas where the mounting fasteners will be attached to the building wall. For you convenience the snap in trim strip is shipped in the correct position, but turned sideways and taped – this will allow easy removal. To remove the access panel:

1. Remove the four gray trim strips

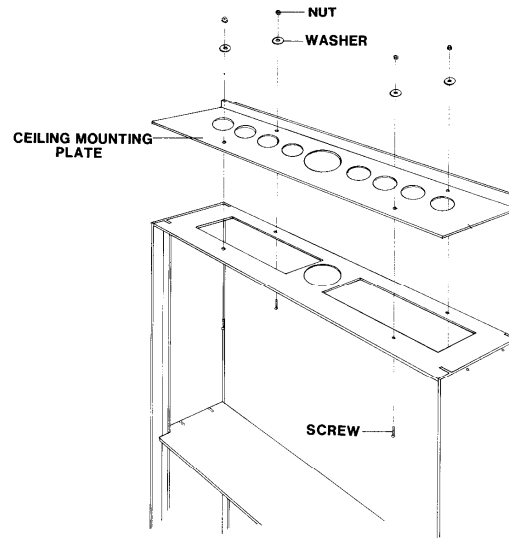
2. Remove the 4 to 6 #8-32 phillips head screws that are located behind the trim strips
3. Lift out the panel and set it aside. "note that each access panel is marked on the inside with the unit serial number and an arrow indicating the top of the panel.

It is important to keep the trim, screws, and panels together.

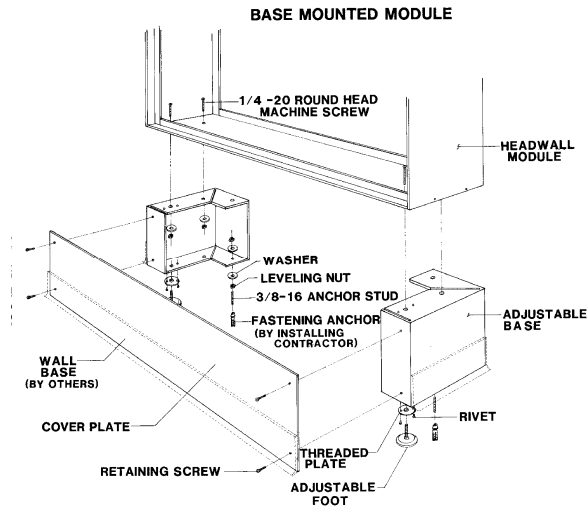


Now lift the headwall out of the carton, and place it in position. With the headwall top tilted back against the building wall and the bottom away, pass the medical gas piping through the appropriate hole in the ceiling mounting plate. Push the headwall up and flat against the building wall, lift it up against the ceiling mounting plate and fasten the headwall to the blocking that was placed within the building wall.

**HARDWARE AND COMPONENTS SHOWN  
ARE SUPPLIED BY H.S.I. AS REQUIRED**

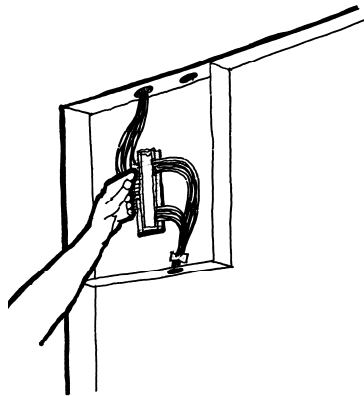


For those headwalls that include an adjustable base, once the headwall is in position, the adjustable feet at the bottom of the base can be screwed in or out until the top of the headwall is a snug fit to the ceiling mounting plate



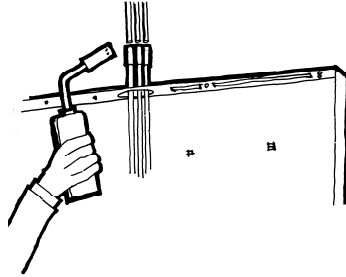
Bolt the top of the headwall to the ceiling mounting plate with the fasteners provided.

Electrical connections are made to the terminal block in the electrical junction compartment at the top of the headwall. Medical Gas connections are made above the ceiling, or in the case of free standing columns below the ceiling within the headwall.



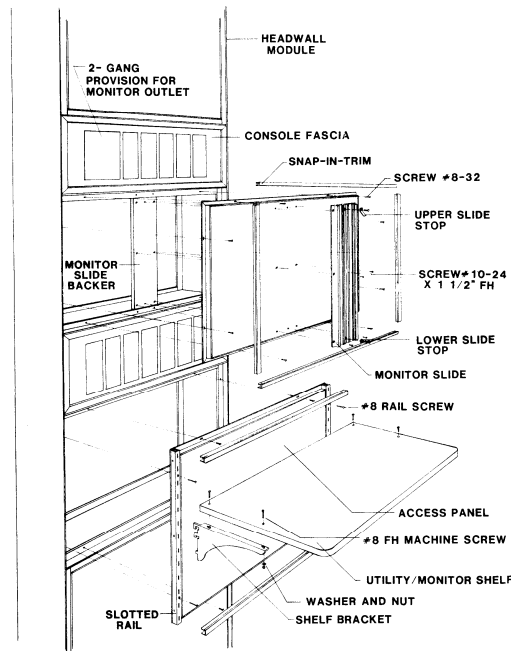
Pull strings have been provided from the low voltage terminal compartment to the appropriate boxes for Nurse Call, Code Blue, Physiological monitor, telephone, etc. These devices are field installed by the appropriate subcontractor.

Medical gas lines are to be installed as per NFPA 99 and local codes. For headwalls in drop-ceiling areas the connections will be approximately 6" above the ceiling line. For fixed ceilings, the connections will be approximately 6" below the ceiling line, and within the headwall.



### Finishing

Re-install the access panels into the headwall form which they were removed. Check that the number on the back of the panel matches the serial number of the headwall. Be sure that the panel is centered within the extrusions or you will have difficulty in installing the snap in trim.



Install the snap in trim strips. Insert the vertical strips first then the horizontal. Gently squeeze one of the edges of one end of the strip and insert it into the groove, while holding it in place with your thumb, pull the free end back away from the headwall just enough to bow the trim strip. This bowing action will pull the legs together and the strip can be easily installed. Caution - forcing the trim strip into the space where the access panel is not centered may cause the trim strip to crack.



## Ancillary Equipment

### Horizon-8 and Horizon-10 Overbed Light Fixture

The Horizon Series Overbed light fixture is mounted as shown on the drawings. The fixture is shipped separately from the headwall. To prepare the fixture for installation, remove it from the carton, open the front access door, slide out [toward the front] the upper and lower lenses and the light barrier. Next remove the ballast chassis by raising and turning the four tabs to align with the slots. Unplug the electrical connector and remove the ballast chassis. Locate and fasten the fixture housing using the appropriate hardware - note that the door opens downward. Wire the connector as per the electrical drawings. Plug in and replace the ballast chassis - be sure to line up all four of the spring loaded clips before giving them a quarter turn and laying the tabs flat. Install the lamps [not provided with the fixture], replace the light barrier and lenses. Be sure to install the lenses with the smooth side up, and close the access door.