



Infinity™ Horizontal Headwall

Please read through these instructions completely prior to attempting any installation

www.hospitalsystems.com

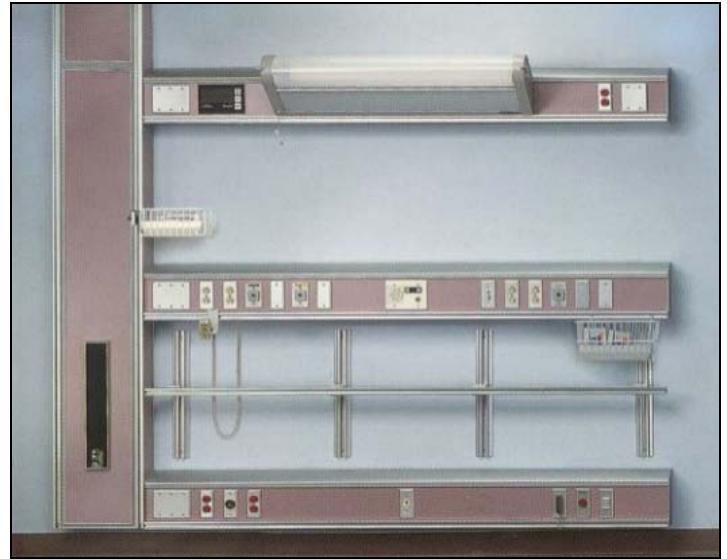
Installation Instructions

Tel: 925.427.7800
Fax: 925.427.0800

support@hospitalsystems.com

Hospital Systems Inc.
750 Garcia Ave
Pittsburg CA 94565
USA

1. Install backing in building wall as required. Set ceiling mounting plate for the vertical chase [if so specified].
2. Set and level service chase module [if so equipped] and secure it to the building wall.
3. Locate stud center or backing material. Layout the rail hanger bracket for the top-most rail at



- the height above the finished floor as noted on elevation drawings, then butt the hanger bracket against the service chase. Align and level the hanger bracket and secure to wall using appropriate mounting hardware [wood screws, toggle bolts, sheet metal screws, etc as per local code, Note: Hardware is not supplied with headwall]. Note. Hanger bracket must be straight and level. If the wall is not true, shim the hanger bracket as needed. Repeat the above for the middle and lower Infinity rails. Note: Not all systems are equipped with all three rails. Refer to elevation drawings for each headwall installation.
4. To install the horizontal rails, begin with the top rail and work down. Remove the top cap and set it aside. If connecting a vertical chase or additional rail, remove the 1/4-20 nut and washer from the connecting stud. Set the horizontal rail onto the hanger bracket, [if connecting with the chase, feed the flex conduit containing the service conductors into the chase module]. Note: The flex conduit and conductors have been cut and laced for proper fit. No field cutting of either is required. Butt the horizontal rail against the service chase module, align, and reinstall the 1/4-20 connecting studs. Note: Be sure to attach the ground wire from the chase to the rail. Secure the rail to the building wall/backing material using appropriate hardware [see Step 3 above]
 5. Repeat Step 4 for the remaining horizontal sections. Caution: Be extremely careful when installing the horizontal rail containing the medical gas piping. Note: If the units you are installing are composed of several horizontal sections per rail, you must install the section closest to the service chase first. Proceed with the adjacent section only after securing the first section to the wall and chase. Slide the sections snugly together, align and install connecting studs for each section as you go, again securing each section to the wall before proceeding.



www.hospitalystems.com

Installation Instructions

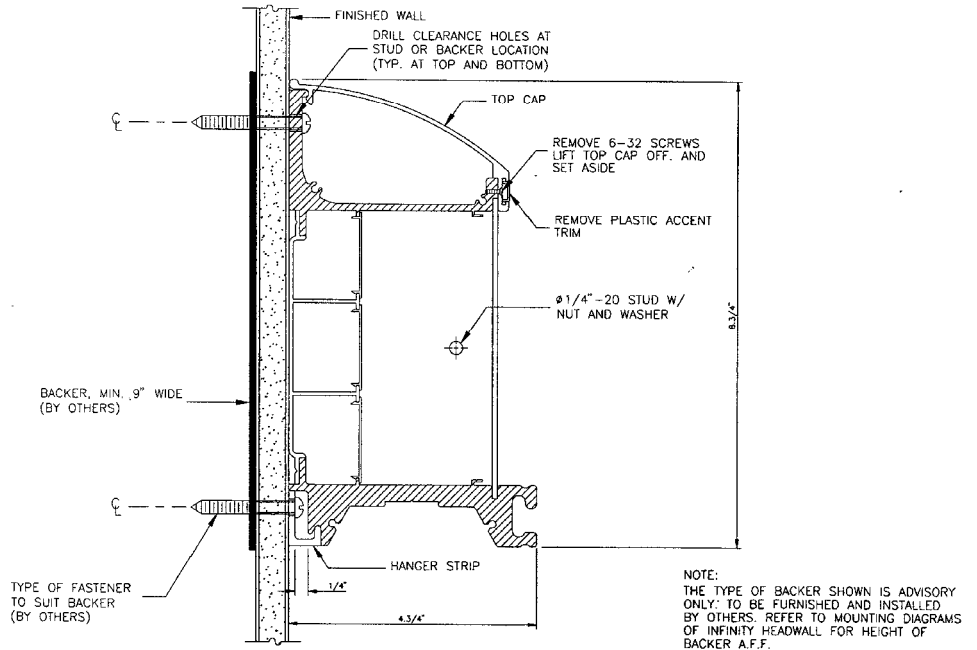
Tel: 925.427.7800
Fax: 925.427.0800

support@hospitalystems.com

Hospital Systems Inc.
750 Garcia Ave
Pittsburg CA 94565
USA

Infinity™ Horizontal Headwall

6. Connect the marked conductor color to color at the terminal blocks, or use wire nuts in the junction boxes. All conductors have been marked and laced for proper fit. All interconnecting wiring in the service chase is factory installed. Feed the nurse call and other low voltage system wires or pull cords into their respective terminal compartments for future connection by others. Medical gas piping has been factory cut to exact fit and tied into the service chase for field connection at the top of the chase and at the intersection of the vertical chase and the horizontal rail. Note: If the horizontal rails are in several sections, connections will be required between sections as well. Fitting are provided.
7. With all sections completed, replace the top cap on the horizontal rails. If an overbed lighting fixture is included, install it after the top cap has been re-installed. Re-install the access panels on the vertical service chase.
8. If equipped with Unimount™ Track and Eclipse® Equipment Rail between center and lower rails [or below center rail], secure the Unimount™ Track to the backing material using appropriate hardware. Attach the stand-off brackets to the Unimount Track, then install the Eclipse Equipment Rail in the stand-off and tighten the set screw.





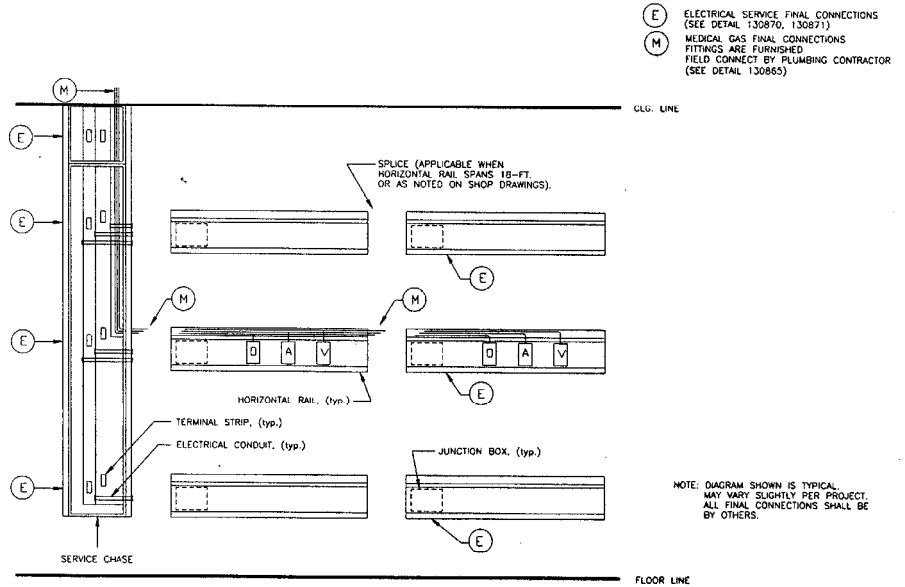
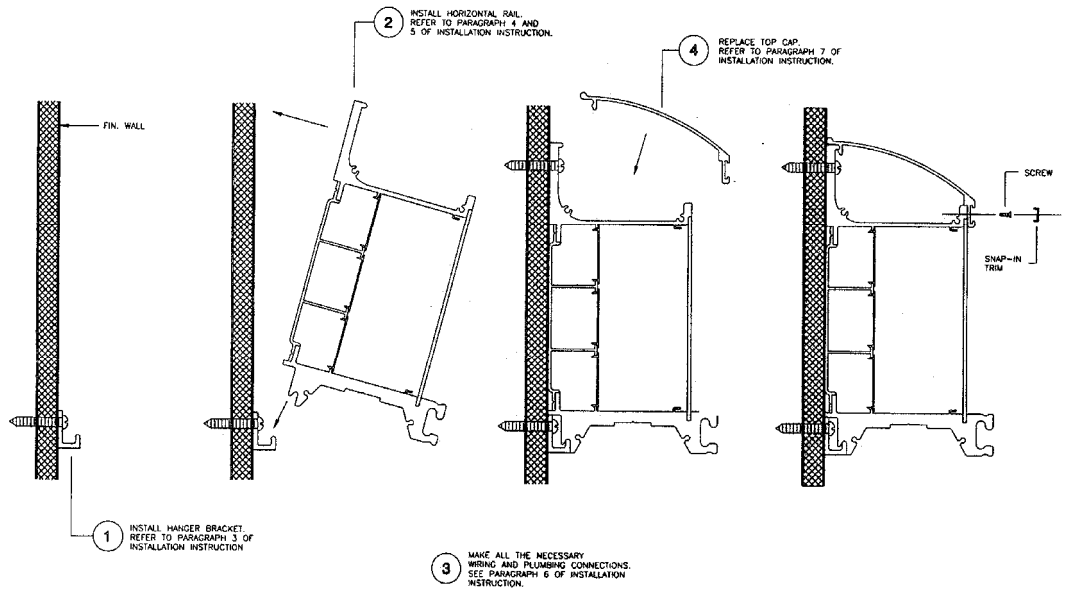
Infinity™ Horizontal Headwall

www.hospitalsystems.com

Installation Instructions

Tel: 925.427.7800
 Fax: 925.427.0800

support@hospitalsystems.com



Hospital Systems Inc.
 750 Garcia Ave
 Pittsburg CA 94565
 USA



Infinity™ Horizontal Headwall

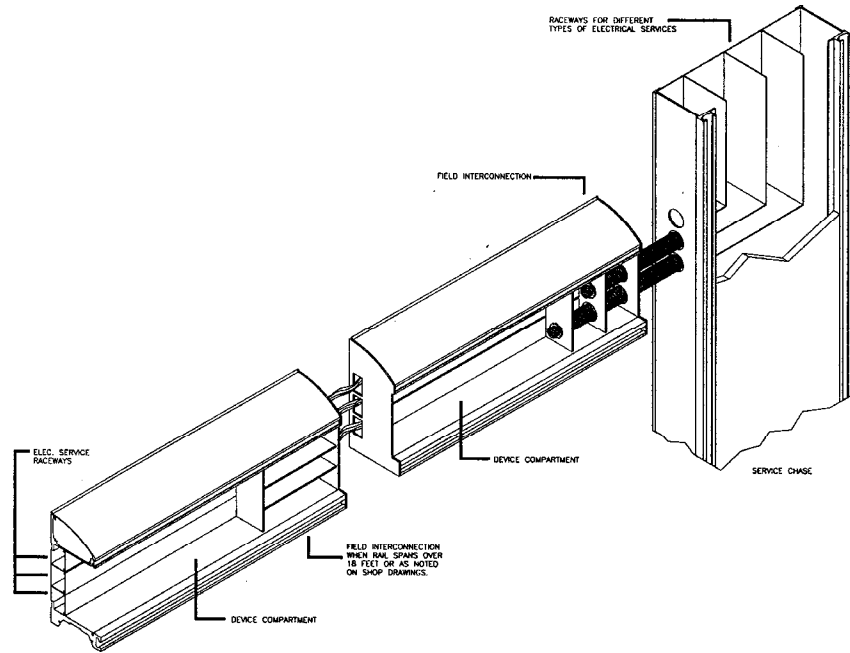
www.hospitalsystems.com

Installation Instructions

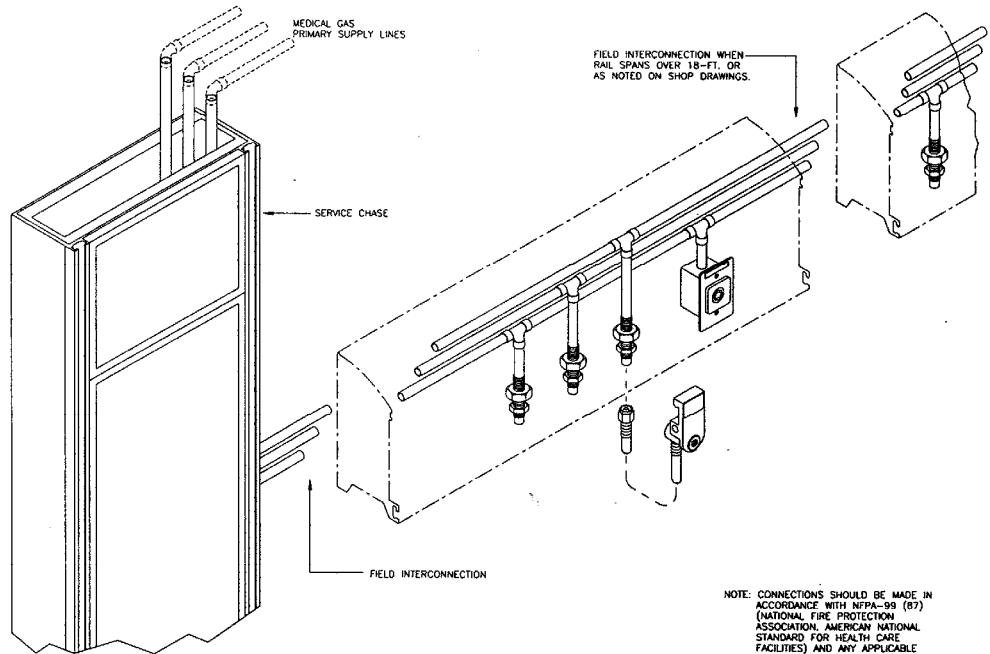
Tel: 925.427.7800
Fax: 925.427.0800

support@hospitalsystems.com

Hospital Systems Inc.
750 Garcia Ave
Pittsburg CA 94565
USA



Electrical feeds from chase



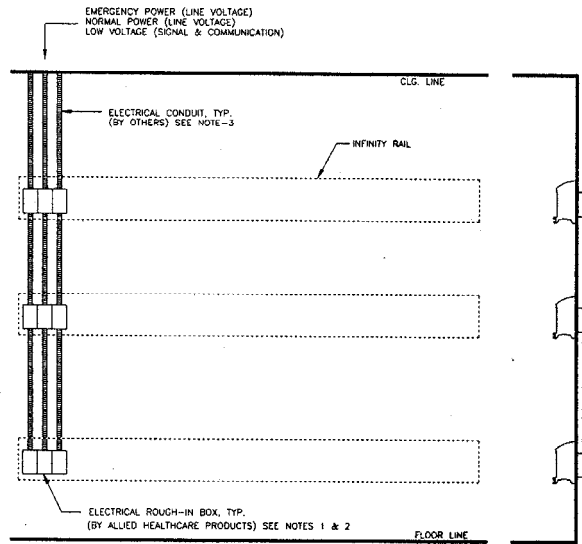
Medical Gas Piping feeds from chase



Infinity™ Horizontal Headwall

www.hospitalsystems.com

Installation Instructions



1. THE ROUGH-IN BOX IS NORMALLY POSITIONED AT ONE END OF EACH RAIL AT EACH LEVEL. BOXES ARE ANCHORED TO THE WALL STUDING W/INTERCONNECTING CONDUIT BETWEEN BOXES.
2. MOUNT ROUGH-IN BOXES FLUSH W/FACE OF FINISHED WALL.
3. MAKE CONDUIT DROP FROM J-BOX ABOVE CEILING TO ROUGH-IN BOXES. REFER TO SHOP DRAWINGS FOR SEQUENCE OF SERVICES FOR EACH TYPE OF UNIT.
4. FOR MORE DETAIL, SEE DWG. 130862.

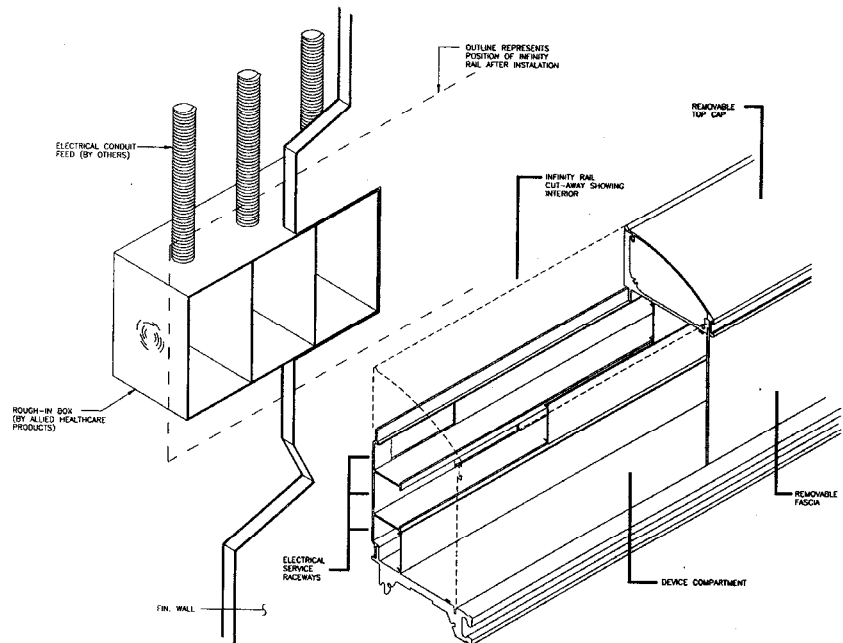
THE ABOVE LAYOUT IS A TYPICAL LOCATION OF ROUGH-IN FOR INFINITY RAIL. REFER TO SHOP DRAWINGS FOR EXACT LOCATION OF ROUGH-IN BOX FOR EACH TYPE OF UNIT.

Backbox arrangement for Infinity Rail without chase

Tel: 925.427.7800

Fax: 925.427.0800

support@hospitalsystems.com



Hospital Systems Inc.
750 Garcia Ave
Pittsburg CA 94565
USA

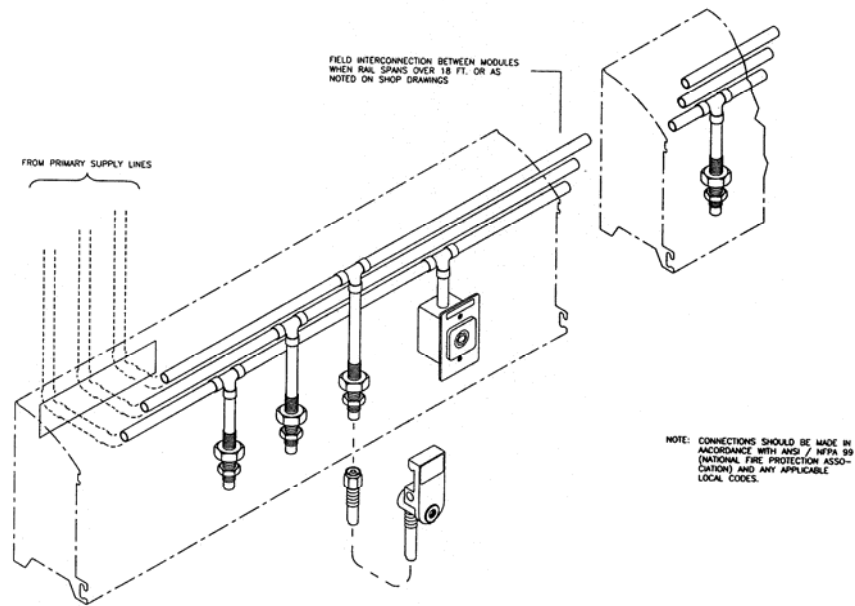
Electrical and Communications are fed from individual sections of the backbox into the appropriate raceway within the Infinity



Infinity™ Horizontal Headwall

www.hospitalystems.com

Installation Instructions



Medical Gas connections for Infinity without chase

Tel: 925.427.7800

Fax: 925.427.0800

support@hospitalystems.com

Hospital Systems Inc.
750 Garcia Ave
Pittsburg CA 94565
USA